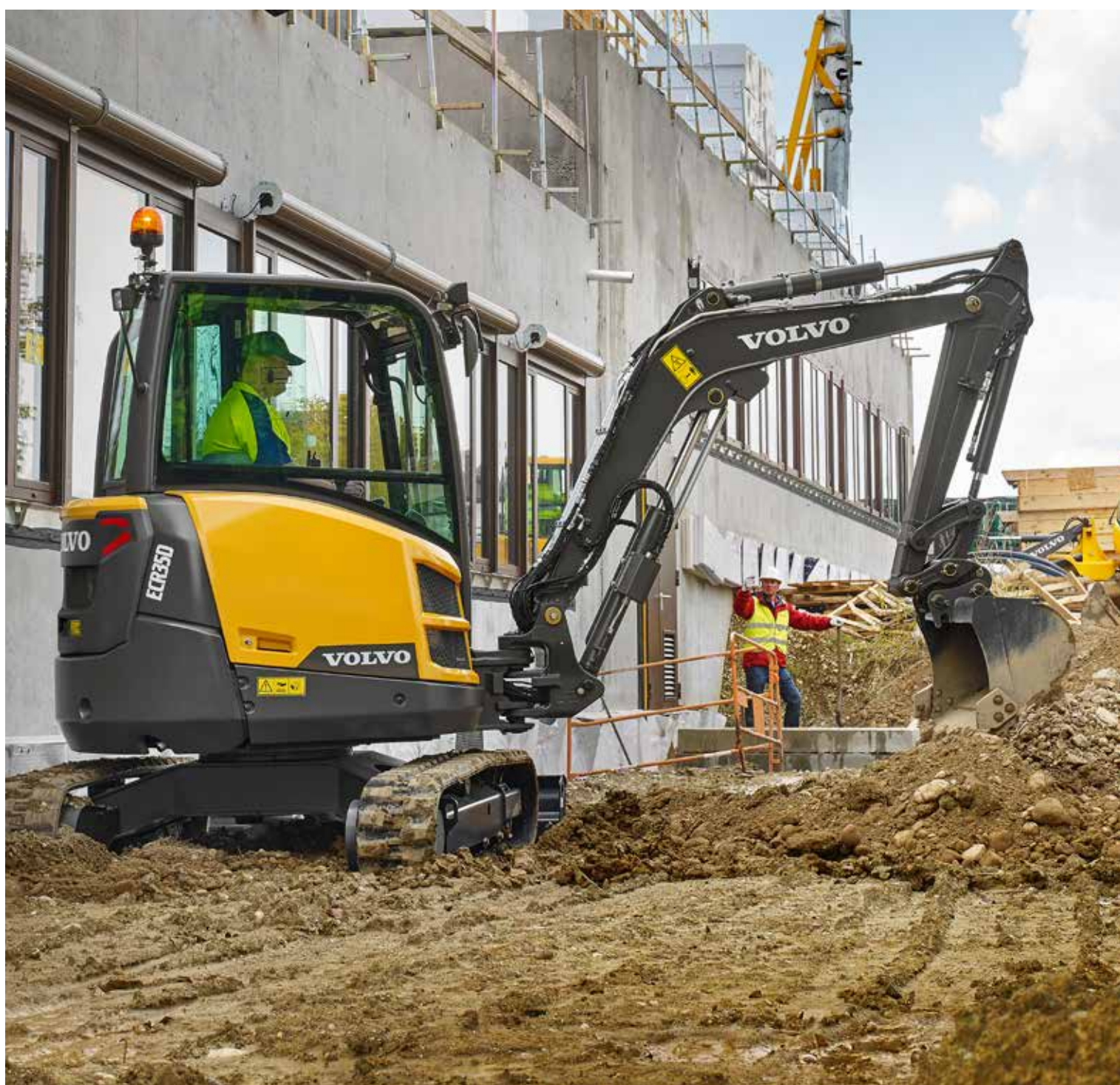




Volvo Construction Equipment

# ECR35D, ECR40D

Volvo Compact Excavators 3.5-3.9 t 31 hp



# A passion for performance

At Volvo Construction Equipment, we're not just coming along for the ride. Developing products and services that raise productivity – we are confident we can lower costs and increase profits for industry experts. Part of the Volvo Group, we are passionate about innovative solutions to help you work smarter – not harder.

## Helping you to do more.

Doing more with less is a trademark of Volvo Construction Equipment. High productivity has long been married to low energy consumption, ease of use and durability. When it comes to lowering life-cycle costs, Volvo is in a class of its own.

## Designed to fit your needs.

There is a lot riding on creating solutions that are suited to the particular needs of different industry applications. Innovation often involves high technology – but it doesn't always have to. Some of our best ideas have been simple, based on a clear and deep understanding of our customers' working lives.



## You learn a lot in 180 years.

Over the years, Volvo has advanced solutions that have revolutionized the use of construction equipment. No other name speaks Safety louder than Volvo. Protecting operators, those around them and minimizing our environmental impact are traditional values that continue to shape our product design philosophy.

## We're on your side.

We back the Volvo brand with the best people. Volvo is truly a global enterprise, one that is on standby to support customers quickly and efficiently – wherever they are.

## We have a passion for performance.



Volvo Trucks



Renault Trucks



Mack Trucks



UD Trucks



Volvo Buses



Volvo Construction Equipment



Volvo Penta



Volvo Financial Services

# Short swing, big power

The ECR35D/ECR40D short swing radius machine is designed to work with power and precision in tight spaces, improving safety and performance in all applications. Featuring a comfortable cab, excellent hydraulics, easy-to-use controls and outstanding serviceability, you will achieve a lot with this small machine.

## Optimized efficiency

For lower costs, increased productivity and maximum uptime a number of efficient features combine on the ECR35D/ECR40D. ECO mode allows you to choose the right machine setting for the job at hand for impressive fuel efficiency. Robust design and quality digging equipment delivers durability and long term machine value. Auto idle and auto engine shut down reduce noise disturbance, fuel consumption, maintenance costs and slow down depreciation of your machine.



## Superior serviceability

The ECR35D/ECR40D is built to ensure servicing is safe, quick and easy, featuring easy service access with wide-opening hoods, centralized lubrication and ground-level greasing points. The patented multifunction transparent hydraulic filter and extended greasing intervals of 50 hours, enhance machine availability and uptime.



## Easy to use

The machine's state-of-the-art hydraulic system is perfectly matched to the Volvo engine delivering high performance, fast response times and smooth operation. The ergonomic, comfortable controls are easy to understand and make it simple to switch between operators. Responsive fingertip controls enhance ease of operation, reduce fatigue and improve fluency.



## Short swing radius

This compact excavator is designed and built to work in tight spaces and can be used on more jobsites while reducing risk of damage to the machine and its surroundings. Short swing radius design and boom cylinder position on the left make the ECR35D/ECR40D the number one choice for working in confined areas. Slew and offset movements are controlled simultaneously for easy and fast positioning of the machine.

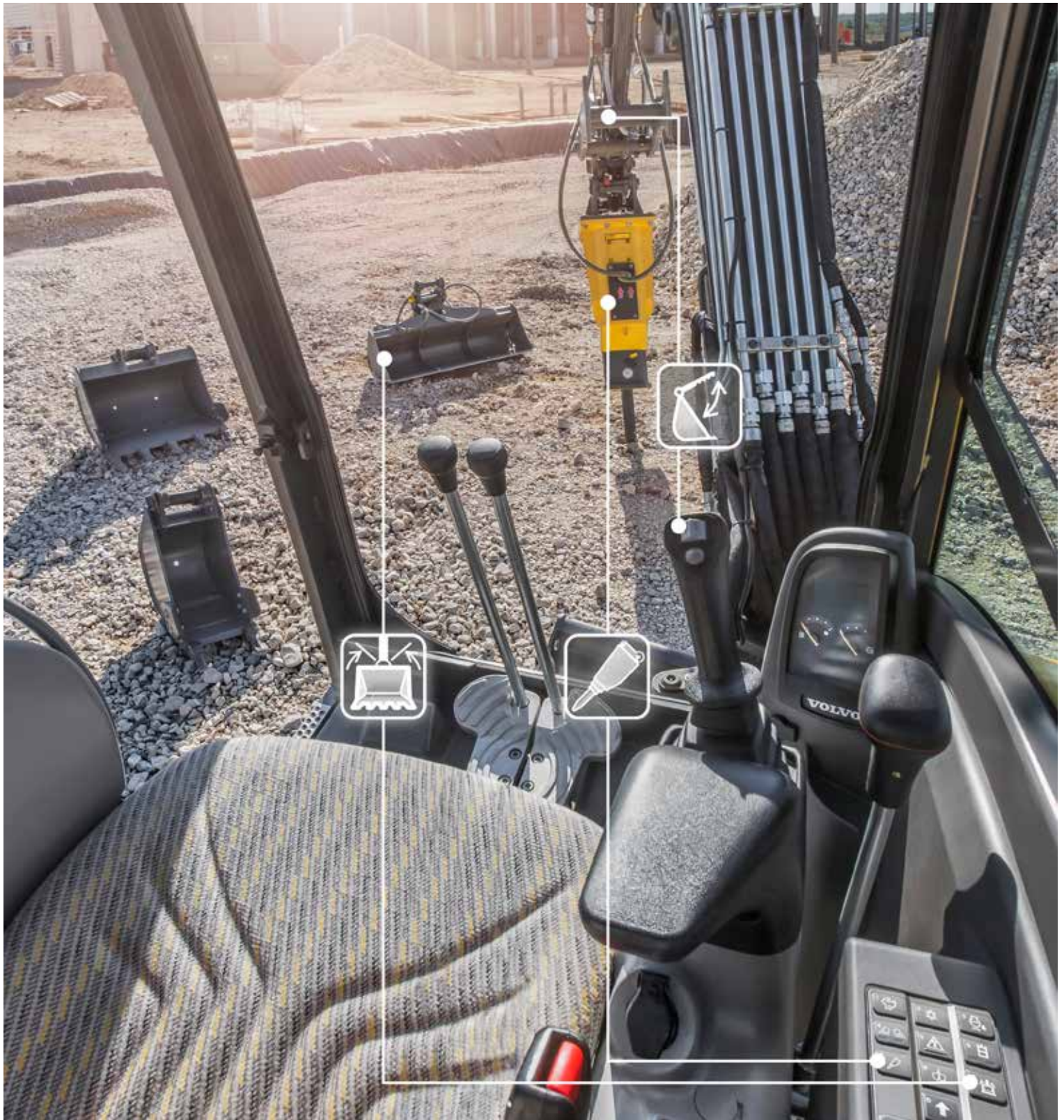




# OPERATOR ENVIRONMENT



Operate in a best-in-class cab for superior operator comfort and less fatigue. The ECR35D/ECR40D is equipped with a spacious operator environment offering excellent all-around visibility and an adjustable suspended seat and console. Most machine functions and settings can be quickly accessed through keypad and monitor for maximum control of your machine.



# BUILT READY



Get the most out of your machine. The ECR35D/ECR40D is a perfect match with Volvo attachments allowing you to change hydraulic settings directly and easily from the keypad. For increased versatility and uptime, Volvo has a durable range of attachments so you can access more applications and effectively perform a variety of jobs.

# More than a machine

Tailored to your business and operations, choose from a wide range of Volvo attachments and Customer Solutions to improve your performance, productivity and versatility. Volvo offers a complete range of robust attachments for all working conditions and can offer a long-term partnership, protect your revenue and provide a full range of services using Genuine Volvo parts, delivered by passionate people.

## Quick Couplers

The mechanical and hydraulic universal quick couplers allow attachments to be changed quickly and efficiently. The hydraulic quick coupler's design allows it to be used for matched Volvo attachments as well as a broad range of offerings from different brands.



## Advanced attachment solutions

The machine is compatible with a range of hydraulic attachments, including thumb, breaker and tilttable ditching bucket for more advanced and specialist applications. Available from the factory or aftermarket, do not hesitate to contact your local Volvo dealer and benefit from leading expertise and advanced attachment solutions.



## Dealer support

For less downtime and expert care, Volvo proactively respond to your requirements faster and fully support your service and maintenance needs through its local workshops and on-site service vans. Your attentive Volvo dealer offers professional expertise and preventative maintenance solutions to keep you working and ensure more uptime.



## Genuine Volvo Parts

Our attention to detail is what makes us stand out and our leading parts availability ensures maximum uptime of your machine. For a long life, parts are extensively tested and approved because every part is vital for machine longevity and uptime.



# Short swing, big power

## Anti-theft system

To reduce the risk of theft, a code can be entered through the keypad to start the machine. It can be changed via the machine management system.

## Automatic engine shutdown

This function automatically turns the engine off to reduce fuel consumption and cut engine operating hours when the machine is inactive for a pre-set amount of time.

## Short swing radius

Short front and rear radius ensures safe and easy operation within a confined space.

## BUILT READY



Volvo's durable attachments have been purpose-built to deliver maximum productivity and long service life in combination with Volvo machines

## In-track boom swing

The swing post and cylinder stay within the tracks when in an offset position, avoiding the risk of damage to your machine when working alongside obstacles.

## 50 hour greasing interval

The greasing interval is 50 hours – therefore there is no need to re-grease between jobs.





### Automatic travel speed

Automatic two speed travel allows the operator to continually drive the machine at high speed. Speed is automatically reduced when traction is needed.

## OPERATOR ENVIRONMENT



The industry-leading, spacious Volvo FOPS1 on top, TOPS and ROPS cab boasts all around visibility, ergonomically positioned controls and excellent vibration and noise insulation.

### ECO mode

By simply pressing a button, the unique Volvo ECO mode reduces fuel consumption by up to 10%.

### Suspended seat and console

The multi-adjustable seat and console are mounted on the same suspension and therefore move together – providing excellent shock and vibration absorption.

### Service access

The side position of the engine together with two, wide-opening hoods ensures safe and easy access to all components and service check points from ground level.

### Patented hydraulic filter

Filtration occurs when the tank is filled or topped up and before the oil returns via the drain lines. The transparent bowl enables easy oil level and contamination checks.

### Customer Solutions

Volvo provides the right solutions throughout the entire life cycle of your machine to lower total cost of ownership.



# ECR35D, ECR40D in detail

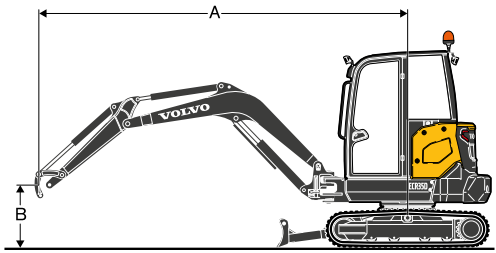
<b>Engine</b>			
		<b>ECR35D</b>	<b>ECR40D</b>
Engine		Volvo D1.8A	Volvo D1.8A
Max. power at	r/min	2 200	2 200
Gross	kW	22.8	22.8
	hp	31	31
Gross power according to ISO 2534			
Max. torque	Nm	112	112
at engine speed	r/min	1 600	1 600
No. of cylinders		3	3
Displacement	cm <sup>3</sup>	1 830	1 830
Bore	mm	87	87
Stroke	mm	102.4	102.4
Compression ratio		20.5	20.5
<b>Electrical System</b>			
		<b>ECR35D</b>	<b>ECR40D</b>
Voltage	V	12	12
Battery	V	1 x 12	1 x 12
Battery capacity	Ah	74	74
Alternator	V/Ah	12/60	12/60
<b>Swing System</b>			
		<b>ECR35D</b>	<b>ECR40D</b>
Max. slew speed	r/min	9	9
Max. slew torque	daNm	810	710
<b>Undercarriage</b>			
		<b>ECR35D</b>	<b>ECR40D</b>
Rubber track width	mm	300	300
Steel track width	mm	300	300
Bottom/top rollers per side		4/1	4/1
Track tension		by grease piston	by grease piston
Blade (width x height)	mm	1 780 x 368	1 780 x 368
<b>Digging Performances</b>			
		<b>ECR35D</b>	<b>ECR40D</b>
Standard bucket width (blade, W/O side cutter)	mm	600	600
Standard bucket mass	kg	90	90
Standard bucket rated capacity	l	114	114
Bucket rotation	°	198	199
Bucket breakout force (ISO)	daN	3 072	3 289
Short arm tearout force (ISO)	daN	2 066	2 371
With short arm	mm	1 250	1 400
Long arm tearout force (ISO)	daN	1 819	2 060
With long arm	mm	1 500	1 700

<b>Weight and Ground Pressure</b>			
		<b>ECR35D</b>	<b>ECR40D</b>
Operating weight according to ISO 6016	kg	3 520	3 880
Ground pressure (cab)	kPa	32.4	35.7
Ground pressure (canopy)	kPa	31.2	34.5
Transport weight	kg	3 445	3 805
With heated cab			
With direct-fit bucket			
With rubber tracks	mm	300	300
With short arm	mm	1 250	1 400
With fuel tank capacity	%	100	100
With thumb	+kg	64	64
With canopy	-kg	135	135
With extra counterweight	+kg	170	80
With long arm and additional counterweight	+kg	180	95
With steel tracks	+kg	66	66
<b>Hydraulic System</b>			
		<b>ECR35D</b>	<b>ECR40D</b>
Maximum system flow	l/min	103	103
Maximum flow for accessories	l/min	65	65
Maximum pressure for accessories	MPa	22	22
Maximum flow for 2nd accessory circuit (option)	l/min	23	23
Maximum operating pressure	MPa	26	24
<b>Travel system</b>			
		<b>ECR35D</b>	<b>ECR40D</b>
Max. drawbar pull	daN	3 100	3 100
Max. travel speed low	km/h	2.7	2.7
Max. travel speed high	km/h	4.5	4.5
Gradeability	°	20	20
<b>Service Refill</b>			
		<b>ECR35D</b>	<b>ECR40D</b>
Fuel tank	l	64	64
Hydraulic system, total	l	62	62
Hydraulic tank	l	32	32
Engine oil	l	7	7
Engine coolant	l	7	7
Travel reduction unit	l	2 x 0.7	2 x 0.7
<b>Sound Level</b>			
		<b>ECR35D</b>	<b>ECR40D</b>
Interior sound level according to ISO 6396			
LpA	dB(A)	78	78
External sound level according to ISO 6395 and EU Noise Directive (2000/14/EC) and 474-1:2006 +A1:2009			
LwA	dB(A)	93	93

# Specifications

## LIFTING CAPACITY ECR35D

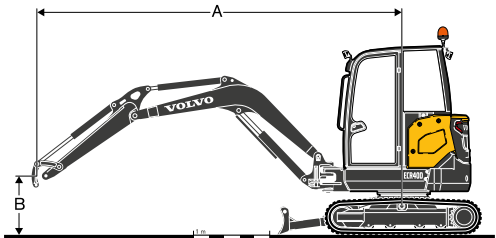
These capacities are given for a machine equipped with a cabin, 300mm rubber tracks and without a bucket or quick-coupler.  
 The below values are in compliance with ISO standard 10567. They do not exceed 75% of the tipping load or 87% of the hydraulic limit with the machine on firm level ground.  
 Loads marked with an asterisk (\*) are limited by machine's hydraulic lifting capacity rather than tipping load.  
 Caution: In accordance with standard EN 474-5, the machine must be equipped to carry out handling operations.  
 It is the operator's obligation to know and follow the applicable national and local safety regulations.



		Lifting point radius (A)									
		2.0 m		3.0 m		4.0 m		Max. reach		Max.	
	Lifting point height (B) m	kg		kg		kg		kg		m	
		Bucket	Quick-coupler	Bucket	Quick-coupler	Bucket	Quick-coupler	Bucket	Quick-coupler		
Arm: 1 250mm + Dozer blade up	3	kg						454	475	3.95	
	2	kg		691	720	437	458	367	385	4.43	
	1	kg		630	659	416	437	339	357	4.57	
	0	kg		596	625	399	420	349	368	4.41	
	-1	kg	1 130	1 179	593	622			413	435	3.91
	-2	kg	1 179	1 227					708	740	2.76
Arm: 1 500mm + Additional counterweight + Dozer blade up	3	kg				511	531	461	480	4.23	
	2	kg				499	519	384	401	4.68	
	1	kg		722	750	475	495	358	375	4.81	
	0	kg	1 203*	1 107*	678	706	454	474	367	384	4.66
	-1	kg	1 264	1 311	668	697	449	469	423	442	4.19
	-2	kg	1 305	1 351	690	719			630	656	3.21
Arm: 1 250mm Dozer blade down	3	kg						757*	475	3.95	
	2	kg		898*	720	790*	458	750*	385	4.43	
	1	kg		1 363*	659	935*	437	805*	357	4.57	
	0	kg		1 622*	625	1 046*	420	915*	368	4.41	
	-1	kg	2 706*	1 179	1 565*	622			1 003*	435	3.91
	-2	kg	1 863*	1 227					1 097*	740	2.76
Arm: 1 500mm + Additional counterweight + Dozer blade down	3	kg				646*	531	643*	480	4.23	
	2	kg				710*	519	621*	401	4.68	
	1	kg		1 239*	750	874*	495	652*	375	4.81	
	0	kg	1 203*	1 107*	1 572*	706	1 014*	474	759*	384	4.66
	-1	kg	2 322*	1 311	1 597*	697	1 012*	469	923*	442	4.19
	-2	kg	2 311*	1 351	1 195*	719			1 033*	656	3.21

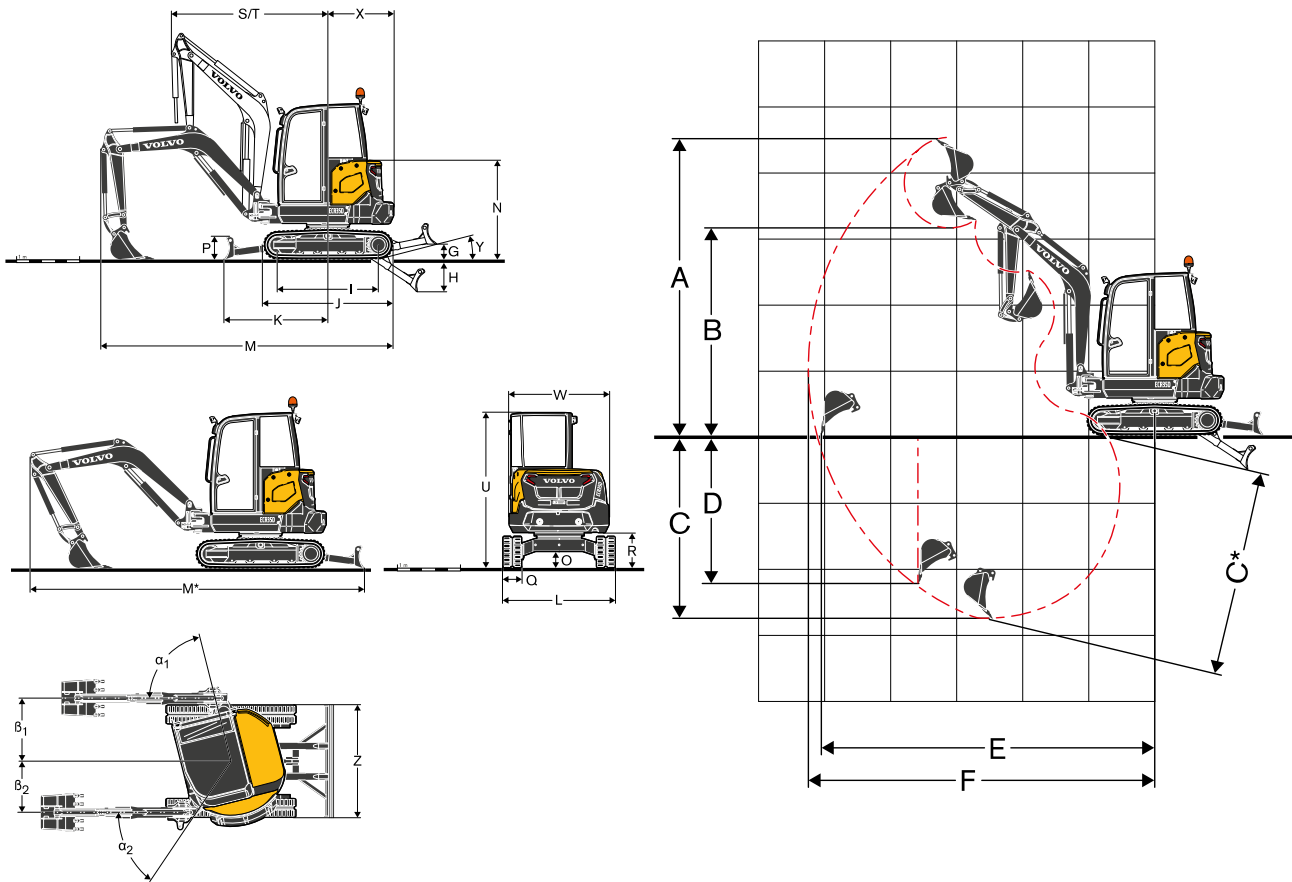
## LIFTING CAPACITY ECR40D

These capacities are given for a machine equipped with a cabin, 300mm rubber tracks and without a bucket or quick-coupler.  
 The below values are in compliance with ISO standard 10567. They do not exceed 75% of the tipping load or 87% of the hydraulic limit with the machine on firm level ground.  
 Loads marked with an asterisk (\*) are limited by machine's hydraulic lifting capacity rather than tipping load.  
 Caution: In accordance with standard EN 474-5, the machine must be equipped to carry out handling operations.  
 It is the operator's obligation to know and follow the applicable national and local safety regulations.



		Lifting point radius (A)									
		2.0 m		3.0 m		4.0 m		Max. reach		Max.	
	Lifting point height (B) m	kg		kg		kg		kg		m	
		Bucket	Quick-coupler	Bucket	Quick-coupler	Bucket	Quick-coupler	Bucket	Quick-coupler		
Arm: 1 250mm + Dozer blade up	3	kg				575	598	513	534	4.27	
	2	kg		876	908	561	583	430	449	4.71	
	1	kg		808	840	535	558	402	421	4.84	
	0	kg		769	802	515	538	412	432	4.69	
	-1	kg	1 461	1 516	764	797	511	534	475	496	4.24
	-2	kg	1 501	1 556	787	819			698	727	3.27
Arm: 1 500mm + Additional counterweight + Dozer blade up	3	kg				614	616*	483	489	4.60	
	2	kg				596	602	414	420	5.00	
	1	kg		859	865	566	572	390	395	5.12	
	0	kg	1 117*	1 117*	806	812	540	547	397	403	4.99
	-1	kg	1 499	1 499	791	799	530	537	446	452	4.57
	-2	kg	1 535	1 535	806	813			598	604	3.73
Arm: 1 250mm Dozer blade down	3	kg				738*	598	784*	534	4.27	
	2	kg		955*	908	837*	583	835*	449	4.71	
	1	kg		1 539*	840	1 036*	558	899*	421	4.84	
	0	kg		1 880*	802	1 198*	538	980*	432	4.69	
	-1	kg	2 539	1 516	1 880*	797	1 202*	534	1 086*	496	4.24
	-2	kg	2 751	1 556	1 462*	819			1 237*	727	3.27
Arm: 1 500mm + Additional counterweight + Dozer blade down	3	kg				616*	616*	711*	489	4.60	
	2	kg				735*	602	760*	420	5.00	
	1	kg		1 358*	865	953*	572	819*	395	5.12	
	0	kg	1 117*	1 117*	1 796*	812	1 149*	547	892*	403	4.99
	-1	kg	2 184*	1 499	1 898*	799	1 217*	537	989*	452	4.57
	-2	kg	3 193*	1 535	1 650*	813			1 125*	604	3.73

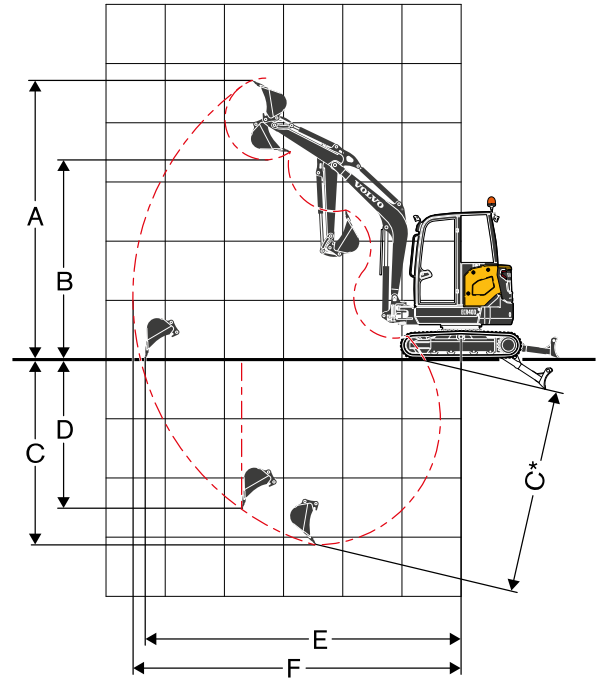
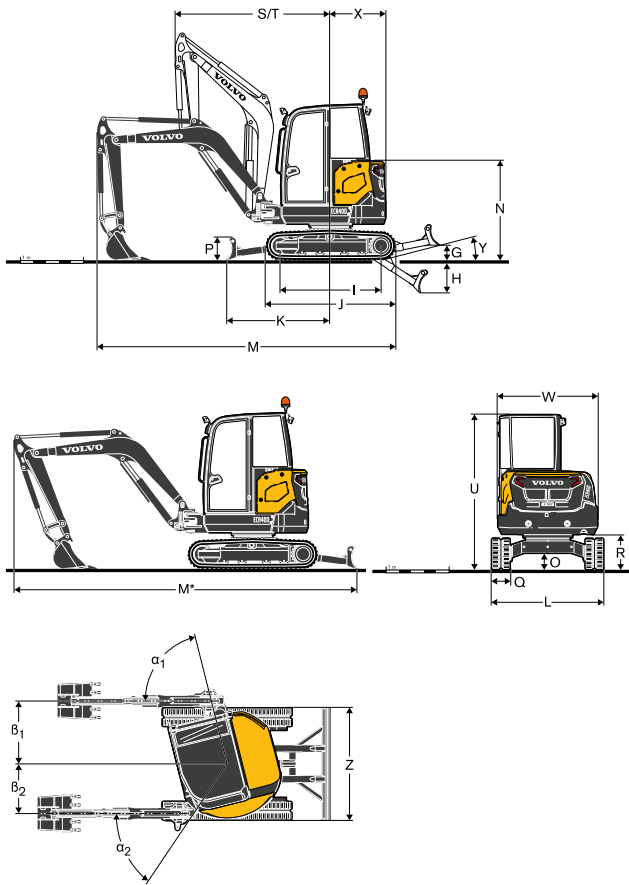
# Specifications



## DIMENSIONS

Description		Unit	ECR35D	
Arm		mm	1 250	1 500
A	Maximum cutting height	mm	4 497	4 640
B	Maximum dump height	mm	3 147	3 290
C	Digging depth	mm	2 785	3 035
C*	Maximum digging depth	mm	3 093	3 339
D	Maximum vertical wall digging depth	mm	2 251	2 494
E	Maximum digging reach at ground level	mm	5 131	5 370
F	Maximum digging reach	mm	5 261	5 497
G	Highest position dozer blade	mm		370
H	Lowest position dozer blade	mm		525
I	Tumbler length	mm		1 604
J	Track length	mm		2 055
K	Dozer blade, maximum reach at ground level	mm		1 648
L	Overall width with 300mm rubber tracks	mm		1 780
M	Overall length	mm	4660	4555
M*	Transport length	mm	5435	5380
N	Overall height of engine hood	mm		1 573
O	Minimum ground clearance	mm		285
P	Dozer blade height	mm		368
Q	Shoe width (rubber)	mm		300
R	Ground clearance to superstructure	mm		557
S	Front slew radius	mm	2 394	2 418
T	Front slew radius with maximum offset	mm	1 869	1 889
U	Overall height	mm		2 481
W	Overall width of superstructure	mm		1 575
X	Tail slew radius	mm	885	970
X <sup>1</sup>	Additional counterweight overhang	mm	85	(incl.)
Y	Angle of approach	°		24
Z	Dozer blade width	mm		1 780
$\alpha_1$	Maximum boom swing angle to the left	deg		76
$\beta_1$	Maximum boom offset to the right	mm		995
$\alpha_2$	Maximum boom swing angle to the right	°		56
$\beta_2$	Maximum boom offset to the left	mm		787

<sup>1</sup>: Option



## DIMENSIONS

Description		Unit	ECR40D	
			1 400	1 700
<b>Arm</b>		mm		
A	Maximum cutting height	mm	4690	4853
B	Maximum dump height	mm	3347	3514
C	Digging depth	mm	3131	3431
C*	Maximum digging depth	mm	3428	3722
D	Maximum vertical wall digging depth	mm	2521	2811
E	Maximum digging reach at ground level	mm	5411	5699
F	Maximum digging reach	mm	5533	5813
G	Highest position dozer blade	mm		370
H	Lowest position dozer blade	mm		525
I	Tumbler length	mm		1 604
J	Track length	mm		2 055
K	Dozer blade, maximum reach at ground level	mm		1 648
L	Overall width with 300mm rubber tracks	mm		1 780
M	Overall length	mm	4780	4640
M*	Transport length	mm	5650	5580
N	Overall height of engine hood	mm		1 573
O	Minimum ground clearance	mm		285
P	Dozer blade height	mm		368
Q	Shoe width (rubber)	mm		300
R	Ground clearance to superstructure	mm		557
S	Front slew radius	mm	2459	2474
T	Front slew radius with maximum offset	mm	1923	1936
U	Overall height	mm	2 481	
W	Overall width of superstructure	mm		1 575
X	Tail slew radius	mm	1035	1035
X <sup>1</sup>	Additional counterweight overhang	mm	0	(incl.)
Y	Angle of approach	°		24
Z	Dozer blade width	mm		1 780
α <sub>1</sub>	Maximum boom swing angle to the left	deg		76
β <sub>1</sub>	Maximum boom offset to the right	mm		995
α <sub>2</sub>	Maximum boom swing angle to the right	°		56
β <sub>2</sub>	Maximum boom offset to the left	mm		787

<sup>1</sup>: Option

# Equipment

## STANDARD EQUIPMENT

### Engine

- Low emission, direct injection, water-cooled, Volvo 4-cylinder diesel engine.
- Engine restart prevention system. Starter motor is protected against ignition when engine is already running.
- Dry-type single element air filter.
- Plastic fuel tank with drain plug.
- Protective strainer on the fuel suction pipe inside the tank
- Water separator.
- Translucent fuel filter.

### Electric/Electronic control system

- Maintenance free battery.
- IP67 protected electrical system and high quality connectors.
- Removable battery cut-off switch.
- In-cab 12V power socket.

### Hydraulic system

- Large hinged and key-locked access panel.
- Variable displacement, load-sensing piston pump.
- Closed centre flow-sharing main control valve.
- Cushioning on cylinders:
  - Boom up
  - Arm out
- Patented filtering and filling element.
- Single layer cooling system.
- Double-acting hydraulic circuit for accessories.
- Hammer / shear valve.
- Plastic tank with drain plug.

### Swing system

- Radial piston hydraulic motor with direct engagement on the ball internal crown wheel (no reduction gears).
- Integrated shockless valve.
- Automatic multi-disc slew brake.
- Centralized and remote lubrication of crown wheel & ball bearing.

### Drivetrain

- Axial piston hydraulic motors equipped with an epicyclic reduction gears.
- Automatic two speed travel
- Bottom flanged rollers lubricated for life.
- Grease tensioning wheel lubricated for life.

### Undercarriage and dozer blade

- "X" shape, box welded fabricated frame with sloping side members.
- 2 Tie-down points on the dozer blade.
- 2 Tie-down points on the frame.
- 2 Integrated lifting points.
- Sturdy removeable protecting covers for track motors and slew system.
- 400HB weld-on edge on dozer blade

### Digging Equipment

- Monobloc box welded boom.
- Boom cylinder rod protection.
- Integrated lifting point on the boom.
- Monobloc box welded arm.
- Long-life steel bushings.
- Hardened, pre-lubricated and corrosion resistant pins.
- 50 hours greasing intervals.

### Canopy

- FOPS level 1 on top (Falling Objects Protective Structure)
- TOPS (Tip-Over Protective Structure)
- ROPS (Roll-Over Protective Structure)
- Cushionned operator station
- Large and roomy uncluttered floor
- Left hand-rail access
- Seat-belt with warning indicator
- Right rear-view mirror

### Cab

- FOPS on top level 1 (Falling Object Protective Structure).
- TOPS (Tip-Over Protective Structure).
- ROPS (Roll-Over Protective Structure).
- Cushioned operator station.
- Large door access.
- Large and roomy uncluttered floor.
- Gas-strutt assisted front window opening.
- Full opening front bay with in-cab storage for the front lower window.
- Front windscreen wiper and washer nozzle.
- Right hand side sliding window.
- Heating systems.
- Multiple adjustable air vents.
- Filtered air inlet.
- Cab inside light.
- Seat-belt with warning indicator.
- Right rear-view mirror.
- Two working lights on top front of the cab.

## STANDARD EQUIPMENT

### Machine controls

- Finger tip control for boom offset.
- Finger tip control for auxiliary circuit.
- Breaker toggle switch on right joystick
- Automatic locking device for pilot controls and travel levers when the left console is raised.
- Engine starting safety device: the left console must be raised to operate the starter.
- Pressure accumulator to lower the equipment on the ground when the engine is switched off.
- High torque / automatic two speed change over button on the keypad.
- High speed toggle switch on the dozer blade lever.
- Large travel pedals.

### Instrumentation and monitoring

- Water temperature and fuel level gauges.
- Warning lights for hydraulic filter and air filter restriction.
- Self-acting emergency engine shutdown. Prevents failures in case of coolant overheating or too low engine oil pressure.
- Several warning lights, coupled to an audible signal, in the event of malfunction (overheating, drop in oil pressure, low battery voltage...)

### Official approval

- Machine conforming to European directive 2006/42/EC.
- Noise emissions in the environment conforming to directive 2000/14/EC.
- Hand Arm Vibrations - Whole Body Vibrations compliant with directive 2002/44/EC.
- Electromagnetic compatibility (EMC) conforming to European directive 2004/108/EC and its amendments.
- Object handling device conforming to EN 474-1 and EN 474-5 standards.
- FOPS on top level 1 conforming to ISO 10262 standard.
- TOPS conforming to ISO 12117 and EN 13531 standards.
- ROPS conforming to ISO 3471-1 and / SAE J1040 standards.

## EQUIPMENT

	ECR35D		ECR35D	
	Basic	Standard	Basic	Standard
• = Standard ○ = Option				
<b>Operator environment</b>				
Canopy	○	○	○	○
Cab with heater	○	○	○	○
Cab with heater and air conditioning	○	○	○	○
Vinyl or textile seat, with mechanical suspension, low-back seat and 2" seat belt	○	○	○	○
Vinyl or textile seat, height adjustable, with mechanical suspension, high back and 2" or 3" retractable seat belt	○	○	○	○
Storage box		●		●
Cab roof		○		○
ISO / SAE control pattern change (in-cab electric switch)	○	○	○	○
Travel alarm	○	○	○	○
Radio preparation (cab)	●	●	●	●
Radio, AUX, USB, Bluetooth		○		○
Anti-theft device	○	○	○	○
Digital hourmeter	●	●	●	●
Extra hour meter (mechanical, )	○	○	○	○
Cupholder.		○		○
<b>Machine exterior</b>				
Right rearview mirror	●	●	●	●
Left rearview mirror	○	○	○	○
Protected worklight on the boom	○	○	○	○
Rear worklight	○	○	○	○
Rotating beacon	○	○	○	○
Additional counterweight	○	○	○	○
Front canopy guard (OPG1)	○	○	○	○
Severe-duty guards for cab or canopy (OPG2, front & top)	○	○	○	○
Several level of paint customisation (RAL specifications) to match with your corporate identity	○	○	○	○
<b>Digging equipment</b>				
Short arm	○	○	○	○
Short arm + thumb bracket	○	○	○	○
Long arm				
Long arm + thumb bracket				
Long arm + additional counterweight	○	○	○	○
Long arm + thumb bracket + additional counterweight	○	○	○	○

EQUIPMENT	ECR35D		ECR35D	
	Basic	Standard	Basic	Standard
• = Standard ○ = Option				
<b>Undercarriage equipment</b>				
300mm rubber tracks	○	○	○	○
300mm steel tracks	○	○	○	○
Standard dozer blade	•	○	•	○
Hydraulic angle blade		○		○
<b>Hydraulic equipment</b>				
Proportional finger tip control for boom offset		•		•
On / Off finger tip control for boom offset	•		•	
Proportional finger tip control for accessories		•		•
On / off finger tip control for accessories	•		•	
Accessory flow adjustment with 3 function oriented button and user-defined settings.		•		•
Secondary relief valves for auxiliaries	•	•	•	•
Hydraulic drain for accessories		○		○
Breaker and clamshell auxiliaries		○		○
Second accessory circuit		○		○
Flat face hydraulic quick couplings	○	○	○	○
Single acting circuit for quick couplers	○	○	○	○
Double acting circuit for quick couplers	○	○	○	○
Boom & arm safety lifting valves with overload indicator	○	○	○	○
Boom, arm and dozer blade safety lifting valves with overload indicator	○	○	○	○
Float blade	•	•	•	•
Safety valve certification	○	○	○	○
Mineral hydraulic oil VG46	○	○	○	○
Bio hydraulic oil VG46 (PANOLIN®)	○	○	○	○
Mineral hydraulic oil VG68	○	○	○	○
Mineral hydraulic oil VG32	○	○	○	○
Bio hydraulic oil VG32 (PANOLIN®)	○	○	○	○

EQUIPMENT	ECR35D		ECR35D	
	Basic	Standard	Basic	Standard
• = Standard ○ = Option				
<b>Engine</b>				
Manual engine control	•		•	
Digital engine control with two preset engine speed buttons (user adjustable)		•		•
Engine auto idling with time adjustment		○		○
ECO mode		•		•
Engine auto shut-down with time adjustment		○		○
Dual stage air filter	○	○	○	○
<b>Service and maintenance</b>				
In-cab air filter clogg warning lamp	•	•	•	•
In-cab engine overheating warning indicator	•	•	•	•
Tool kit	○	○	○	○
Electronic service reminder		•		•
V-CADS pro		•		•
<b>Telematics</b>				
Care Track		○		○
<b>Attachments</b>				
Volvo quick coupler mechanical (pin-on)	○	○	○	○
Volvo hydraulic quick coupler (pin-on)	○	○	○	○
Extra pin kit	○	○	○	○
Lehnhoff® Quick Coupler Mechanical (MS03)	○	○	○	○
S-type hydraulic quick coupler (S40)	○	○	○	○
Thumb with short clamp (for direct fit bucket)	○	○	○	○
Thumb with long clamp (when using quick coupler)	○	○	○	○
General purpose buckets (300mm / 52L up to 750mm / 148L)	○	○	○	○
Bolt-on side cutters	○	○	○	○
Fix ditching buckets (1300mm / 150L)	○	○	○	○
Tiltable ditching buckets (1200mm / 125L)	○	○	○	○
Hydraulic breaker HB03LN	○	○	○	○

## SELECTION OF VOLVO OPTIONAL EQUIPMENT

### Anti theft



### Auto engine shutdown



### OPG



### Air conditioning



### Angle blade



### Safety valves



Not all products are available in all markets. Under our policy of continuous improvement, we reserve the right to change specifications and design without prior notice. The illustrations do not necessarily show the standard version of the machine.

**VOLVO**

**Volvo Construction Equipment**

[www.volvoce.com](http://www.volvoce.com)